



Cover 1:  
Bobby Silver

Cover 1:  
Bobby Grey

Cover 2:  
Vera Anthracite

Black Feet

# Warren Collection



Colours represented are to be used as a guide only.  
Please refer to manufacturers swatch for a more accurate colour match.

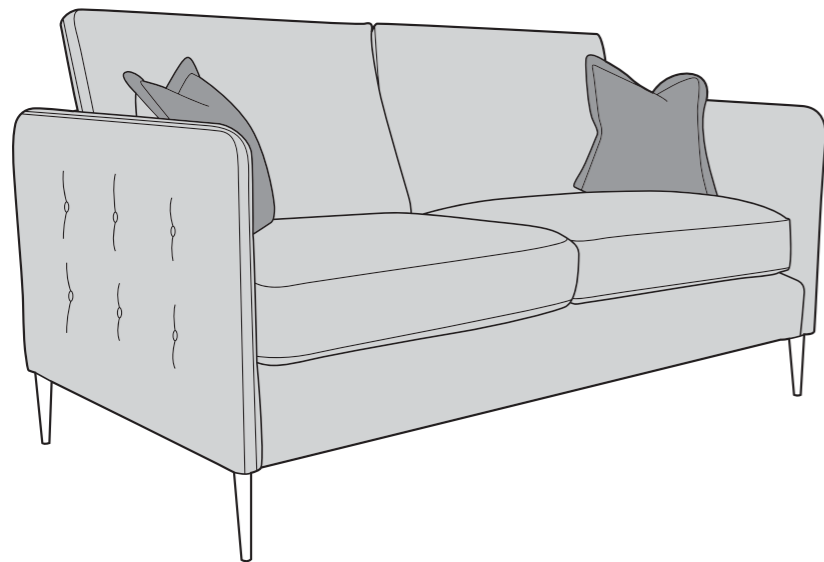
Please note that leather colour shadings can vary slightly from batch to batch.  
We cannot guarantee a precise match to these samples or between cut lengths and upholstered goods.

23/05/2023

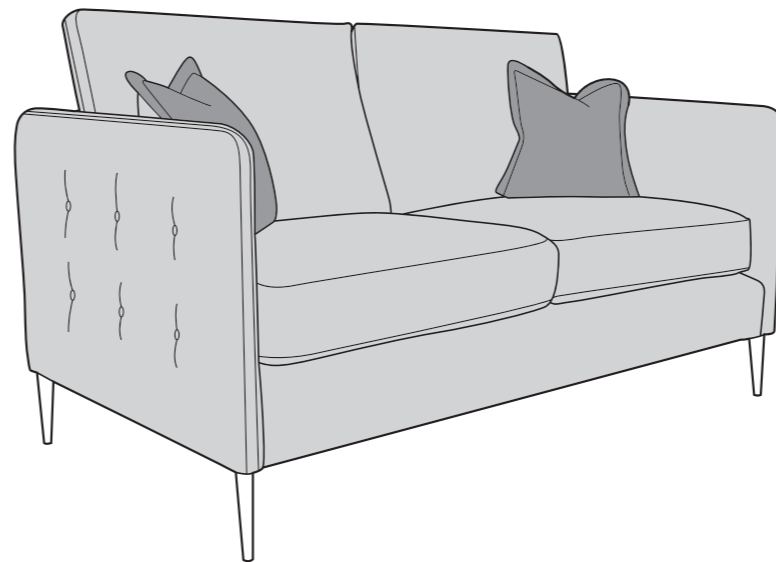
# WARREN COVER GUIDE: STANDARD BACK ONLY

Please use this guide when ordering the following pieces to clarify cover options.

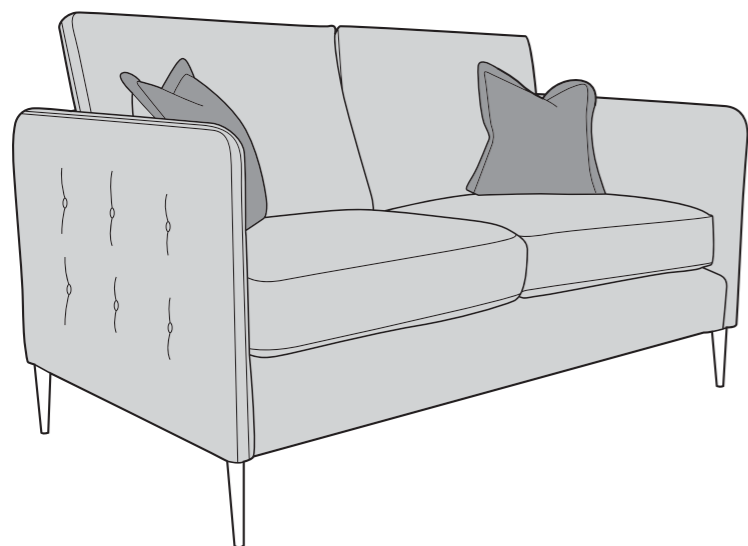
4 Seater Sofa (4ST)



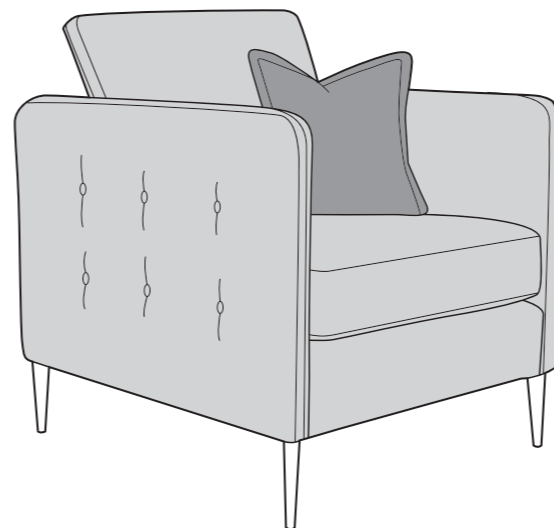
3 Seater Sofa (3ST)

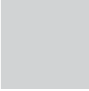



2 Seater Sofa (2ST)



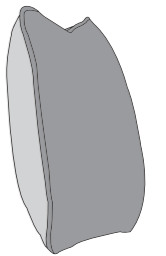
Armchair (1ST)



 **COVER 1**  
(BODY)

 **COVER 2**  
(SCATTER)

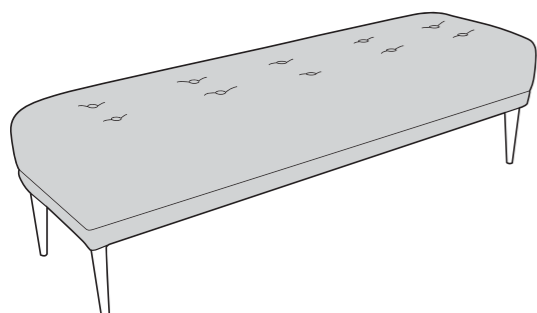
Scatter Cushions



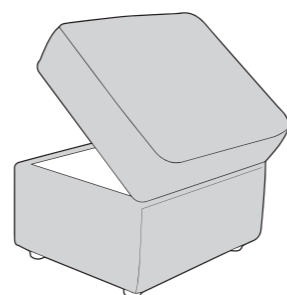
Flanged Edge  
Front = Cover 2  
Back = Cover 1

## SUGGESTED ACCENT PIECES

Warren Footstool (FST)




Storage Footstool (FSS)



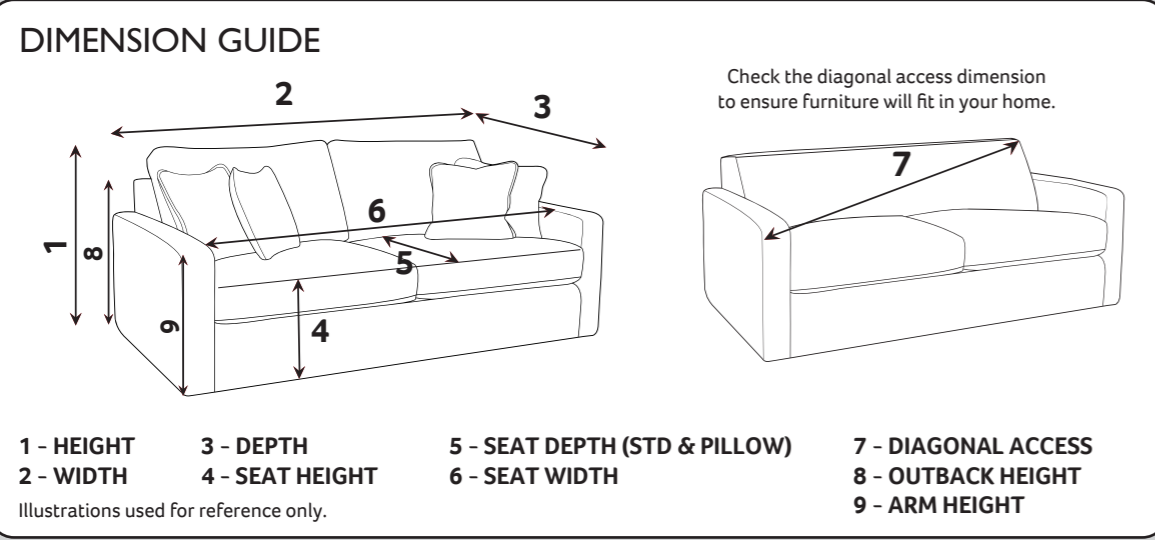
# WARREN DIMENSIONS (CM)

AVAILABLE PIECES	HEIGHT 1	WIDTH 2	DEPTH 3	SEAT HEIGHT 4	SEAT DEPTH 5	SEAT WIDTH 6	ACCESS DIAGONAL 7	OUTBACK HEIGHT 8	ARM HEIGHT 9	WEIGHT (KG)
4 SEATER SOFA (4ST)	90	198	98	53	58	177	216	75.5	77	60
3 SEATER SOFA (3ST)	90	170	98	53	58	149	190	75.5	77	54.5
2 SEATER SOFA (2ST)	90	149	98	53	58	128	170	75.5	77	50
ARMCHAIR (1ST)	90	84	98	53	58	63	120	75.5	77	38.5
<b>ACCENT PIECE</b>										
WARREN FOOTSTOOL (FST)	39	135	39	N/A	N/A	N/A	137	N/A	N/A	15
STORAGE FOOTSTOOL (FSS)	45	63	50	N/A	N/A	N/A	75	N/A	N/A	12.5

- \* Hardwood & composite board frame.
- \* Reversible fibre filled backs for added comfort.
- \* Serpentine seat springs & silent wire.
- \* Dowelled, screwed, glued & stapled joinery.
- \* Sumptuous feather filled scatters included. 
- \* Elasticated back webbing.
- \* A choice of Black, Gold or Chrome Metal Foot or a Wood selection in Walnut or Beech.
- \* Reversible Ultimateflex seat cushions.
- \* Hidden metal adjustable centre legs on 4 Seater Sofa.



## Ultimate-Flex

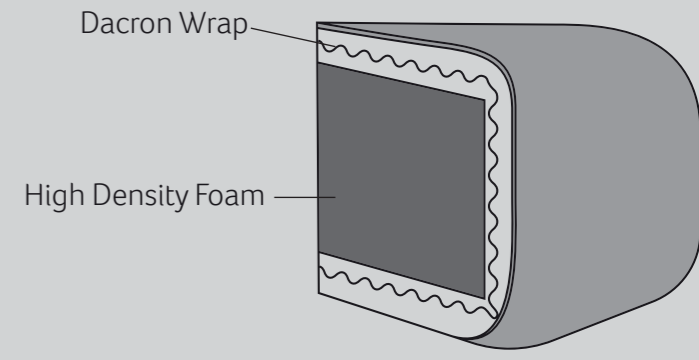


A high loft, high density foam inner seat interior surrounded by a dacron wrap that provides both comfort and support.

**CARE GUIDE**  
Ultimate-Flex seat cushions should be plumped up on a regular basis to help maintain the aesthetic appeal of your upholstery, the plumping of cushions is essential to help retain the comfort and softness of any piece of upholstered furniture.

Ultimate-Flex seat cushions are fully reversible therefore to improve the longevity of your hand-made furniture, we recommend flipping cushions often.

For further information on maintaining your furniture please refer to the care guide located under the seat platform.



### FOOT OPTIONS:



Wood is a natural product and will vary in shade/colour from item to item. Feet may require fitting.

Please note : All dimension are approximate. Allow tolerance of +/- 2.5cm.



23/05/2023