

Revolution Pocket Sprung

Single Folding Bed

Features

- British made with a lifetime frame guarantee
- Patent pending folding mechanism for optimum space saving
- J-TEX™ sprung base system for durability, support and comfort
- Full width headboard in an Oak effect finish
- Luxurious Pocket sprung mattress
- Exceeds British and European safety standards
- 360° castors for easy manoeuvrability
- Durable powder coat paint finish
- Suitable for regular use
- 25 Stone User weight

Product codes

Folding Bed: 108805 Mattress: 908805

Accreditations

Tested and accredited to British and European safety standards including:

Relating to the Frame

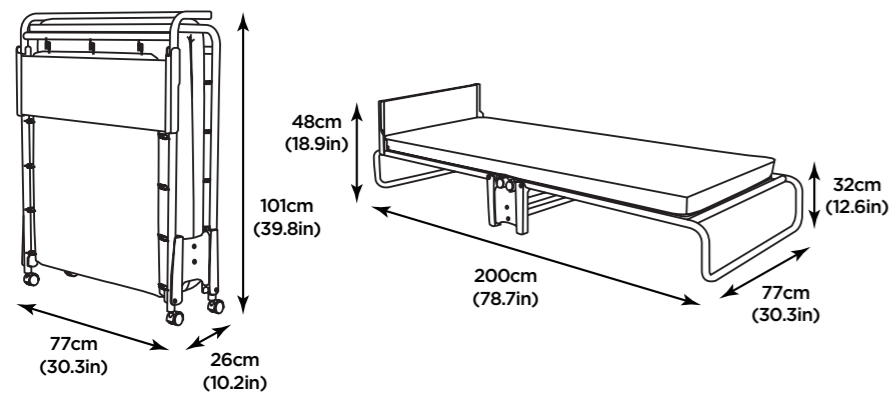
BS EN 1725

Relating to the Mattress

- BS EN 597-1 - FR requirement
- BS EN 597-2 - FR requirement
- BS 7177 Domestic - FR requirements

Dimensions & Packaging

Packed size: 79 x 24 x 97cm (0.18m³) Weight: 22.25Kg / 49.1lb



Bed weight: 21kg / 46lb

Space under bed when open: 19cm (7.5in)

Mattress dimensions: W68cm (26.8in) L190cm (74.8in) D10cm (3.9in)

*Please note all user weights are guidelines only. We strongly advise that you check and assess the product judging its suitability and safety for use, based on your own physical condition.



With J-TEX™ Sprung Base System
*25 Stone User Weight



JAY-BE®

Sleep Smart

The JAY-BE® Revolution Folding Bed with Pocket Sprung Mattress combines innovative design with high quality materials to offer sumptuous comfort and durability as well as space-saving convenience. The patent pending design makes the Revolution more compact, sturdy and comfortable than traditional folding beds.

For luxurious personal comfort this JAY-BE® folding bed features a pocket sprung mattress, encapsulating over 400 individual pocket springs. Each spring works independently with the premium fillings to adapt to the contours of your body.

The mattress rests on the JAY-BE® J-TEX™ sprung base system for the perfect combination of durability and full body support. J-TEX™ is made from PVC coated woven polyester, a specially engineered technical fabric designed to be stretch resistant and offer long term durability. Suspended using high-tension springs, the J-TEX™ sprung base system is extremely strong and independently tested and proven to perform as well as regular permanent beds.

All JAY-BE® folding beds are made in the UK and come with a FREE lifetime frame guarantee for your complete quality assurance.