

Revolution Memory Foam

Single Folding Bed

Features

- British made with a lifetime frame guarantee
- Patent pending folding mechanism for optimum space saving
- J-Tex® sprung base system for durability, support and comfort
- Full width headboard in an Oak effect finish
- Breathable Airflow Fibre mattress topped with a 1cm Memory Foam comfort layer
- Exceeds British and European safety standards
- 360° castors for easy manoeuvrability
- Durable powder coat paint finish
- Suitable for regular use
- Recommended maximum user weight 160kg*

Product codes

Folding Bed: 108810 Mattress: 908810

Accreditations

Tested and accredited to British and European safety standards including:

Relating to the Frame

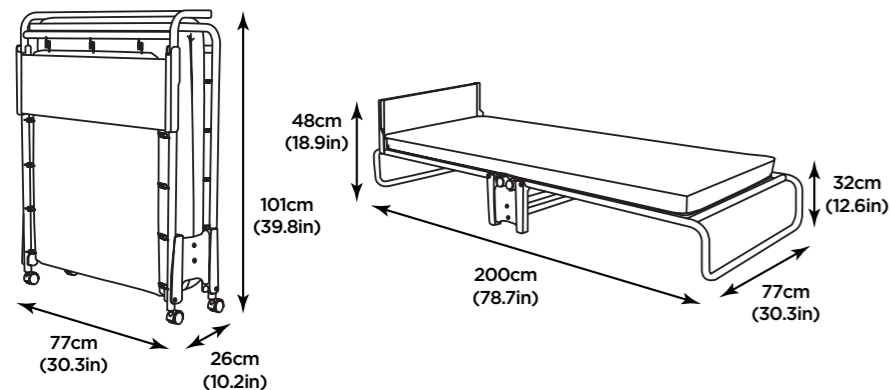
BS EN 1725

Relating to the Mattress

- BS EN 597-1 - FR requirement
- BS EN 597-2 - FR requirement
- BS 7177 Domestic - FR requirements

Dimensions & Packaging

Packed size: 79 x 24 x 97cm (0.18m³) Weight: 19.7Kg / 43.3lb



Bed weight: 18.4kg / 40.6lb

Space under bed when open: 19cm (7.5in)

Mattress dimensions: W68cm (26.8in) L190cm (74.8in) D10cm (3.9in)*

*User weights are based on British and European independent safety tests.

*Mattresses are handmade, so dimensions and weights can vary slightly.



Product is sold subject to JAY-BE® standard terms and conditions.
See full terms at jaybe.com/legal

With J-Tex® Sprung Base System

Improved specification from September 2018



JAY-BE®

Sleep Smart

Memory Foam comfort for full body support, combined with durability and space saving convenience, the JAY-BE® Revolution Folding Bed brings together the best materials with innovative design. Resting on the unique JAY-BE® J-Tex® sprung base system, the Memory Foam mattress is made up of Breathable Airflow Fibre base layer that is topped with a layer of Memory Foam for additional premium feel comfort. Suitable for regular use. J-Tex® is made from PVC coated woven polyester, a specially engineered technical fabric designed to be stretch resistant and offer long term durability. Suspended using high-tension springs, the J-Tex® sprung base system is extremely strong and independently tested and proven to perform as well as regular permanent beds.

The Revolution also comes with a headboard to stop your pillows escaping. The patent pending design makes the Revolution more compact and more durable than traditional folding beds. The 360° castors allow you to simply glide this guest bed to where you need it, when you need it.

All JAY-BE® folding beds are made in the UK and come with a FREE lifetime frame guarantee for your complete quality assurance.