

J-Bed® Pocket Sprung

Small Double Folding Bed

Features

- British made with a lifetime frame guarantee
- Purotex® treated to naturally reduce the presence of dust mites
- Spacious Pocket Sprung mattress which contours the body for increased comfort
- Foam free breathable smart-fibre comfort layers to help temperature regulation
- FSC Certified sprung slatted base for adaptable support
- Exceeds British and European safety standards
- 360° castors for easy manoeuvrability and stability.
- Exclusive J-Lok mechanism for effortless opening and closing
- Suitable for regular use
- Recommended maximum user weight 190kg*

Product Code:

Folding Bed: 111265 Mattress: 911265

Accreditations

Tested and accredited to British and European safety standards including:

Relating to the Frame

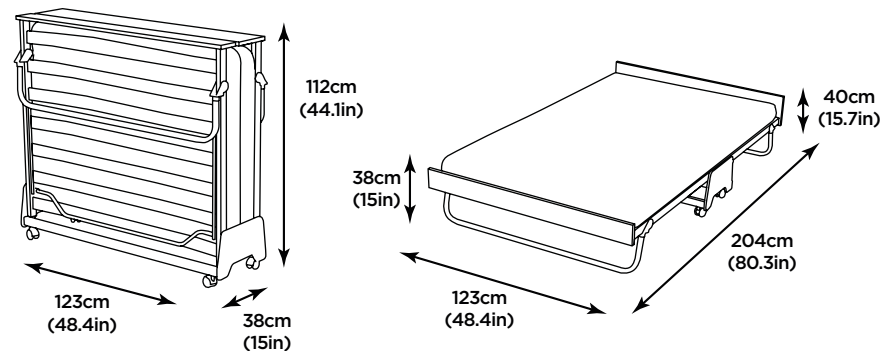
BS EN 1725

Relating to the Mattress

- BS EN 597-1 - FR requirement
- BS EN 597-2 - FR requirement
- BS 7177 Domestic - FR requirements

Dimensions & Packaging

Packed size: 126 x 39 x 117cm (0.57m³) Weight: 46.2kg / 101.9lb



Bed weight: 42kg / 92.6lb

Space under bed when open: 22cm (8.7in)

Mattress dimensions: W118cm (46.5in) L199cm (78.3in) D10cm (3.9in)*

*User weights are based on British and European independent safety tests.

*Mattresses are handmade, so dimensions and weights can vary slightly.



Product is sold subject to JAY-BE® standard terms and conditions.
See full terms at jaybe.com/legal

JAY-BE®

Sleep Smart

NEW From
October
2018



Please note:

The J-Bed Pocket is for domestic use only.
Please refer to our Visitor or Crown beds for
contract use folding beds.

Created without compromise, the JAY-BE® J-Bed® Pocket Sprung folding bed brings together the most innovative technologies to create one of the most luxurious folding guest beds imaginable. Made using the finest materials, the anodised aluminium frame is lightweight and sits on premium 360° castors which allow the bed to be easily manoeuvred and locked in place while in use. Precision injection moulded components compliment the stylish appearance while the exclusive J-Lok® folding mechanism enables effortless opening and closing of the bed, one side at a time.

Resting on the sprung slatted base system, the luxury extra-long mattress embraces the latest patented Micro Pocket Spring Technology.

Over 600 individual pocket springs are topped with sumptuous smart-fibre comfort layers and each spring adapts to the contours of your body for exceptional support and comfort. The mattress is hand tufted and has an insulated border to secure the interior layers to maximise its long term durability. The breathable comfort layers are encased within the latest naturally treated Purotex® fabric which offers the added benefit of a fresher and cleaner sleeping environment by reducing the presence of dust mites by 89%.

All JAY-BE® folding beds are made in the UK and come with a FREE lifetime frame guarantee for your complete quality assurance.