

# Crown Premier

Single Folding Bed

## Features

- British made with a lifetime frame guarantee
- Suitable for regular use
- J-TEX® Sprung base system for durability, support and comfort
- Full depth spring interior mattress
- Carbon Steel Springs for even Support
- Exceeds British, European and North American safety standards
- High performance mattress fabric
- Suitable for use in contract environments (e.g. Hotels)
- Recommended maximum user weight 190kg\*

## Product codes

Folding Bed: 106801 Mattress: 980845

## Accreditations

Tested and accredited to British, European and North American safety standards including:

## Relating to the Frame

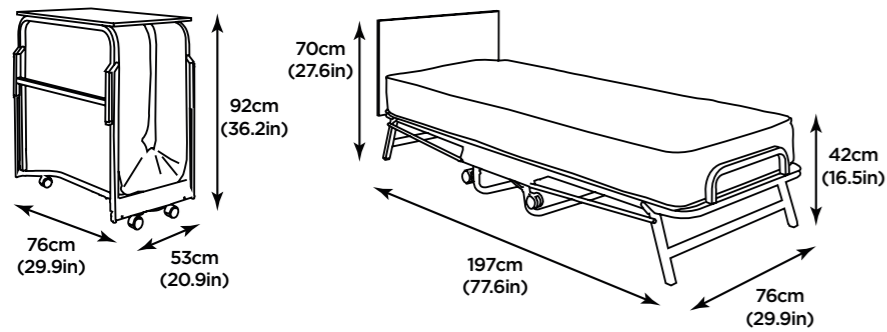
BS EN 1725

## Relating to the Mattress

- BS EN 597-1 - FR requirement
- BS EN 597-2 - FR requirement
- BS 6807 - Clause 9 (Source 5) FR requirement
- BS 7177 Contract - FR requirements
- 16 CFR 1633 Standard

## Dimensions & Packaging

Packed size: 80 x 54 x 92cm (0.4m<sup>3</sup>) Weight: 33.5kg / 73.7lb



Bed weight: 30kg / 66.1lb

Space under bed when open: 21cm (8.3in)

Mattress dimensions: W76cm (29.9in) L190cm (74.8in) D18cm (7.1in)\*

\*User weights are based on British and European independent safety tests.

\*Mattresses are handmade, so dimensions and weights can vary slightly.



Product is sold subject to JAY-BE® standard terms and conditions.

See full terms at [jaybe.com/legal](http://jaybe.com/legal)

With J-TEX® Sprung Base System

\*30 Stone User Weight

# JAY-BE®

Sleep Smart



Suitable for Contract

Specifically designed for regular contract use, this robust JAY-BE® folding bed achieves higher British, European and North American safety standards than normal domestic beds. Built to last, the Crown is a reliable solution for Guest Houses, Hotels and other contract environments. The J-TEX® base is made from PVC coated woven polyester, a specially engineered technical fabric designed to be stretch resistant and offer long term durability. Suspended using high-tension springs, the J-TEX® sprung base system is extremely strong and independently tested and proven to perform as well as regular permanent beds.

The Crown's deep sprung mattress is tailored in a high-performance fabric and topped with wool and cotton blend comfort layers. Wool is a natural 'smart' fibre that continually responds to changes in local humidity. Its natural ability to absorb and release moisture helps to keep you and your mattress dry and your body temperature constant. This JAY-BE® guest bed also achieves higher British, European and North American safety standards than normal domestic beds making it suitable for the extra demands of contract use.