

Crown Windermere

Single Folding Bed

Features

British made with a lifetime frame guarantee
J-TEX® Sprung base system for durability, support and comfort
Breathable, antimicrobial, urea and water-resistant mattress
Exceeds British, European and North American safety standards
Resistant to microbial growth including E-Coli and MRSA
Hypo-allergenic forming an effective barrier against bed mites
Suitable for use in contract environments (e.g. Hotels)
Carbon Steel Springs for Even Support
Recommended maximum user weight 190kg*

Product codes

Folding Bed: 106802 Mattress: 901801

Accreditations

Tested and accredited to British, European and North American safety standards including:

Relating to the Frame

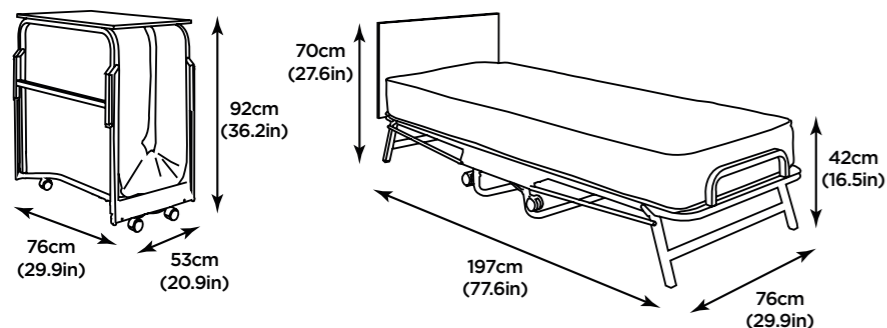
BS EN 1725

Relating to the Mattress

BS EN 597-1 - FR requirement
BS EN 597-2 - FR requirement
BS 6807 - Clause 9 (Source 5) FR requirement
BS 7177 Contract - FR requirements
16 CFR 1633 Standard

Dimensions & Packaging

Packed size: 80 x 54 x 92cm (0.4m³) Weight: 33.5kg / 73.7lb



Bed weight: 30kg / 66.1lb

Space under bed when open: 21cm (8.3in)

Mattress dimensions: W76cm (29.9in) L190cm (74.8in) D18cm (7.1in)*

*User weights are based on British and European independent safety tests.

*Mattresses are handmade, so dimensions and weights can vary slightly.



Product is sold subject to JAY-BE® standard terms and conditions.
See full terms at jaybe.com/legal

With J-TEX® Sprung Base System

*30 Stone User Weight

JAY-BE®

Sleep Smart



Suitable for Contract

The Crown Windermere is designed for use in the Hospitals, Nursing homes and other extreme contract environments. The mattress is tailored in a highly durable, breathable, antimicrobial, urea and water resistant mattress fabric. The Crown's heavy gauge steel frame is finished in durable epoxy paint which is easy to wipe clean. High performance 360° steel castors make the Crown easy to manoeuvre and the lockable feature makes the bed easy to secure in place for added safety. The J-TEX® sprung base system to provide the ultimate in supportive comfort.

The J-TEX® base is made from PVC coated woven polyester, a specially engineered technical fabric designed to be stretch resistant and offer long term durability. Suspended using high-tension springs, the J-TEX® sprung base system is extremely strong and independently tested and proven to perform as well as regular permanent beds. This JAY-BE® guest bed achieves higher British, European and North American safety standards than normal domestic beds, making it suitable for use in the most demanding contract environments.