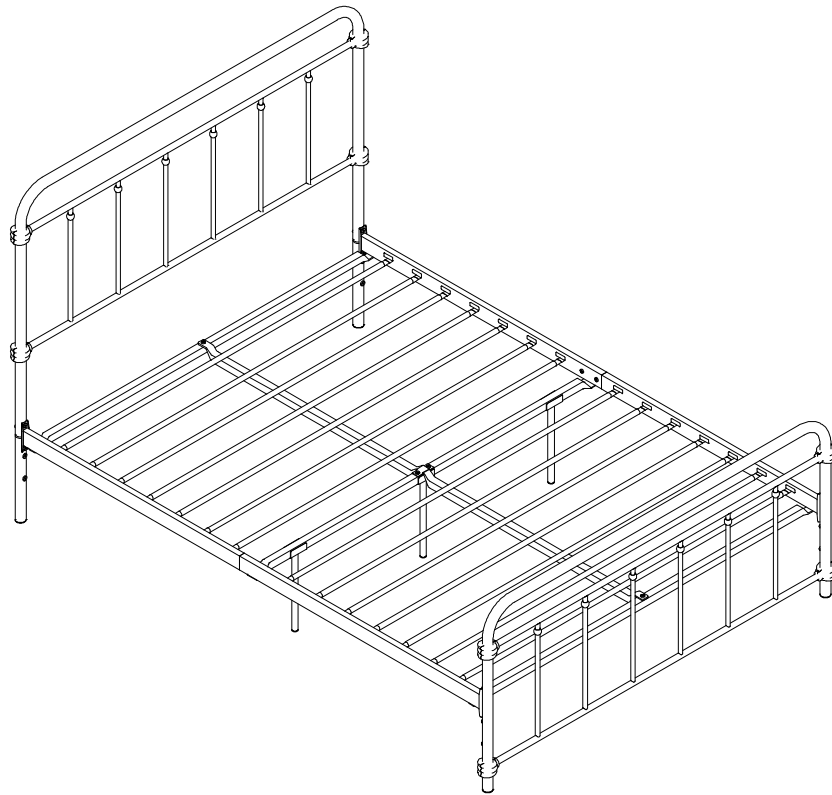
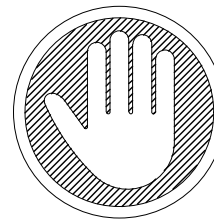


**4117029UK(Black) 4118129UK(White)
4119229UK(Bronze)
Metal Bed
Double**

Weight Limit: 450 Lb / 204 Kg



Thank you for purchasing from Dorel UK!



DO NOT RETURN TO THE STORE !

If parts are missing or damaged, we will gladly ship your replacement parts free of charge.

Call **01942 524100**

Date of Purchase



Lot Number



IMPORTANT - READ CAREFULLY - RETAIN FOR FUTURE REFERENCE

Warranty Information

Dorel UK warrants this product to be free from defects in material and workmanship and agrees to remedy any such defect. This warranty covers one year from the date of original purchase. This is solely limited to the repair or replacement of defective parts and assembly labor is not included.

This warranty does not apply to any product which has been improperly assembled, subjected to misuse or abuse or which has been altered or repaired in any way. Liability for consequential damages is excluded to the extent exclusion is permitted by law. This warranty gives you specific legal rights and you may also have other rights which vary from state to state.

To obtain warranty service, purchaser must present original bill of sale. Components repaired or replaced are warranted through the remainder of the original warranty period only. The defective components will be repaired or replaced without charge, subject to the terms and conditions described above.

Contact Us!

For help with assembly, identifying parts, product information or to order parts, please contact us:

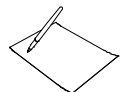


cseurope@dorel.com



01942 524100

Monday - Friday
9:00am - 5:00 pm
(LondonTime)



Dorel Home Furnishings Europe Ltd

Building 4 Imperial Place
Maxwell Road
Borehamwood
Hertfordshire
WD6 1JN
UK

Read Before Beginning Assembly

- Call our toll free number if you need assistance.
- Work in a spacious area and near where the unit will be used, preferably on a carpet, or use a piece of the cardboard packaging to protect your floor and product.
- Recommended # of people needed for assembly: **2** (however it is always better to have an extra hand). Estimated assembly time is **1 hour 30 mins**.
- Make sure all parts are included. Most parts are labeled or stamped on the raw edge.
- Read each step carefully. It is very important that each step of the instructions is performed in the correct order. If these steps are not followed in sequence, assembly difficulties will occur.

Caution

- This product is designed for home use and not intended for commercial use.
- This product contains small components. Please ensure that they are kept away from small children.
- Do not use power tools to assemble your furniture. Power tools may strip or damage the parts.



Parts

Replacement Parts, Call
01942 524100



All in 1 big box!



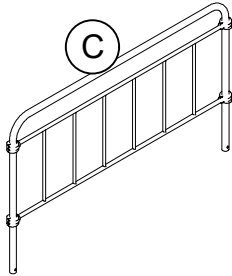
There are inner box(es) that include components required to complete this assembly.



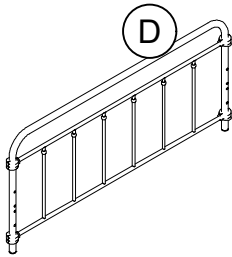
Before you throw the package, please use the Check Box to identify the parts and ensure that you have all the parts needed for the assembly.



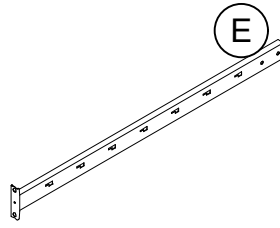
Post
X 2



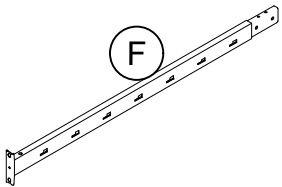
Headboard
X 1



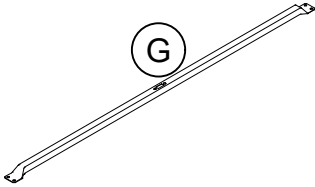
Footboard
X 1



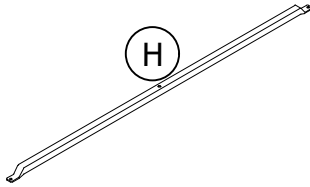
Side Rail
X 2



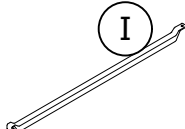
Side Rail
X 2



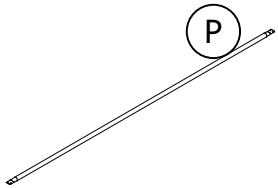
Brace
X 1



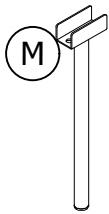
Brace
X 2



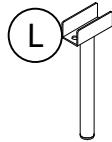
Brace
X 2



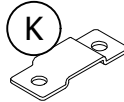
Slats
X 14



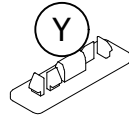
Leg
X 3



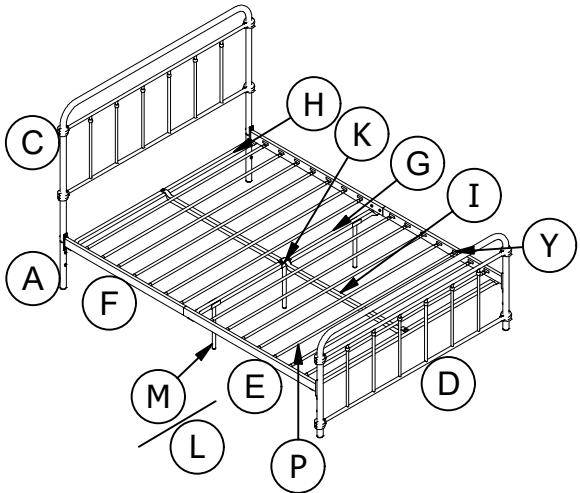
Leg
X 3



Bracket
X 1

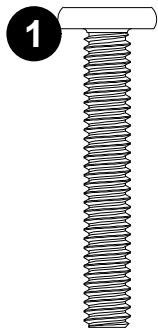


Plastic Plug
X 28

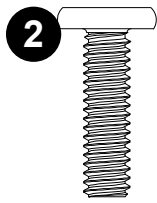


▲ IMPORTANT: Below part numbers list is unique to your product.
Please keep it on hand when calling for replacement parts.

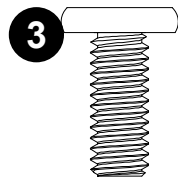
Part Number			
Part Labels	4117029UK(Black)	4118129UK(White)	4119229UK(Bronze)
A	UK942870	UK942900	UK942930
C	UK942960	UK942980	UK943000
D	UK942970	UK942990	UK943010
E	UK937890	UK940170	UK938340
F	UK937880	UK940180	UK938350
G	UK937900	UK940190	UK938360
H	UK958740	UK940200	UK938370
I	UK937920	UK940210	UK938380
K	UK937950	UK935750	UK938310
L	UK937940	UK935740	UK937740
M	UK937930	UK935730	UK937730
P	UK919610	UK925720	UK930300
Y	UK392590	UK392590	UK392590



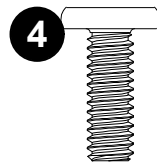
1/4" X 1 9/16"
X 4



1/4" X 7/8"
X 12



5/16" X 3/4"
X 16



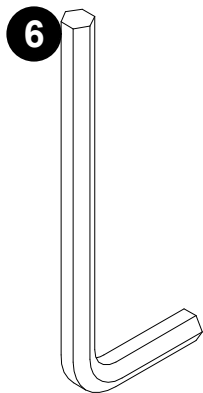
1/4" X 11/16"
X 6



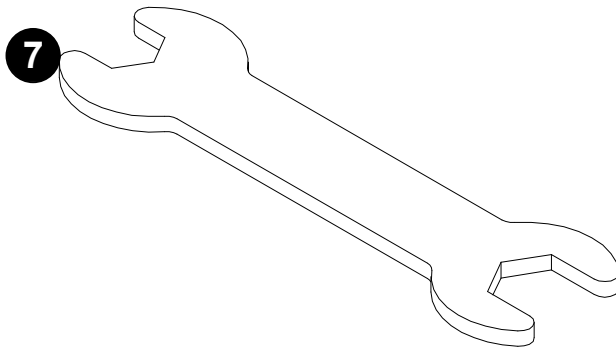
1/4"
X 4

Hardware Pack


<input type="checkbox"/>	Hardware Pack #: UK4006109N-00	4118129UK(White)
<input checked="" type="checkbox"/>	Hardware Pack #: UK4044449N-02	4117029UK(Black) 4119229UK(Bronze)




4mm
X 1



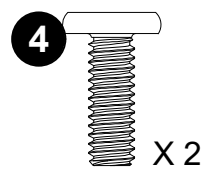
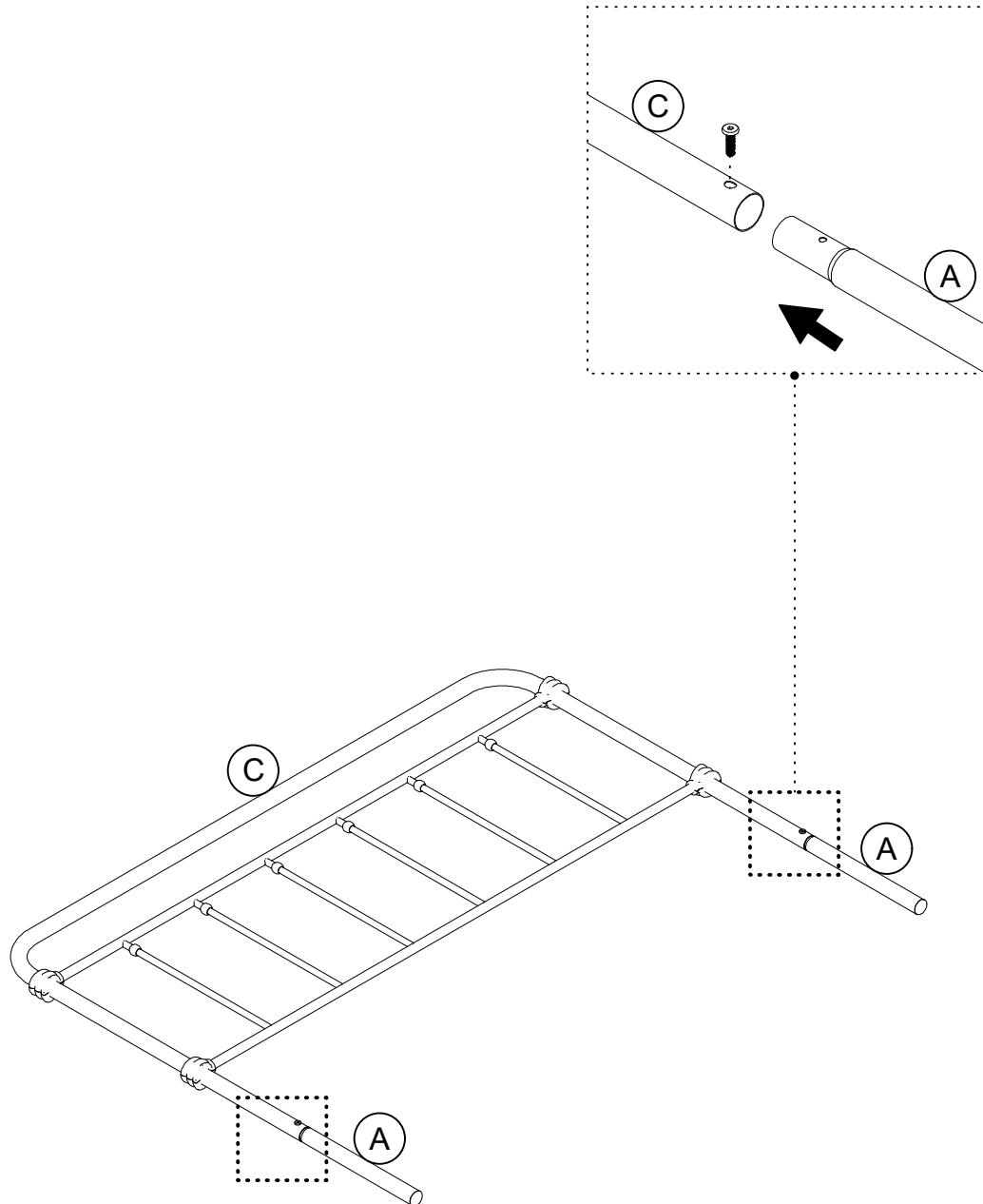
X 1

 Please do not completely tighten all the hardware, until the entire assembly is complete, unless otherwise indicated in the step-by-step instructions.

 The screw(s), bolt(s) to be used at each step are shown in actual size in the lower right corner of the page.

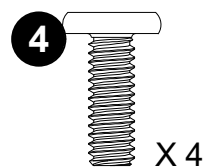
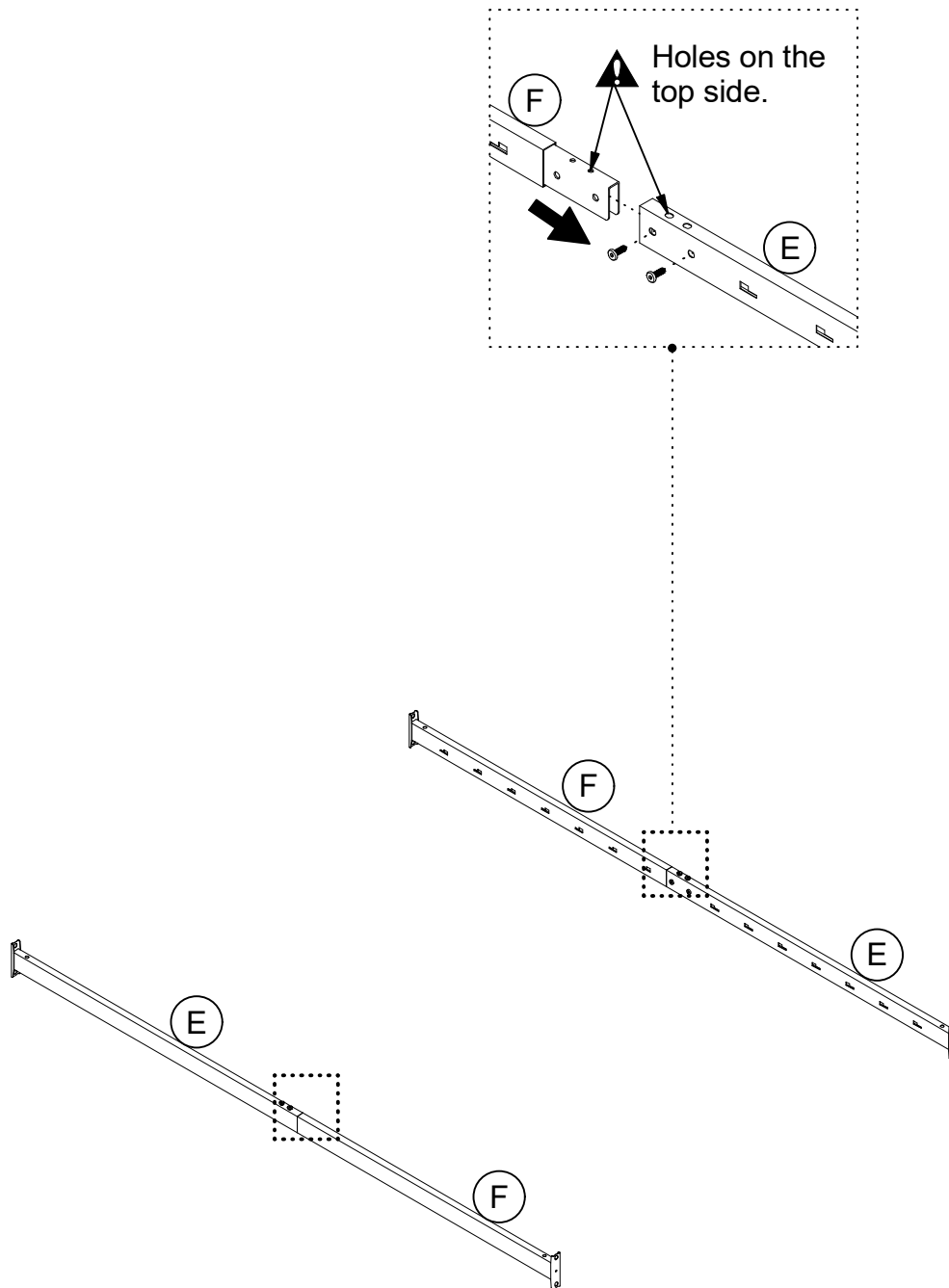
Step 1

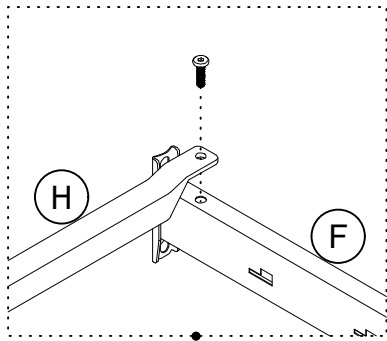
Insert **A** X 2 into **C** with **4**.



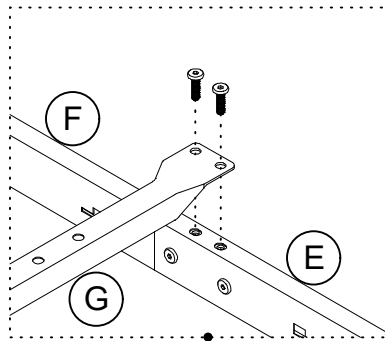
Step 2

Insert **F** X 2 into **E** X 2 with **4**.

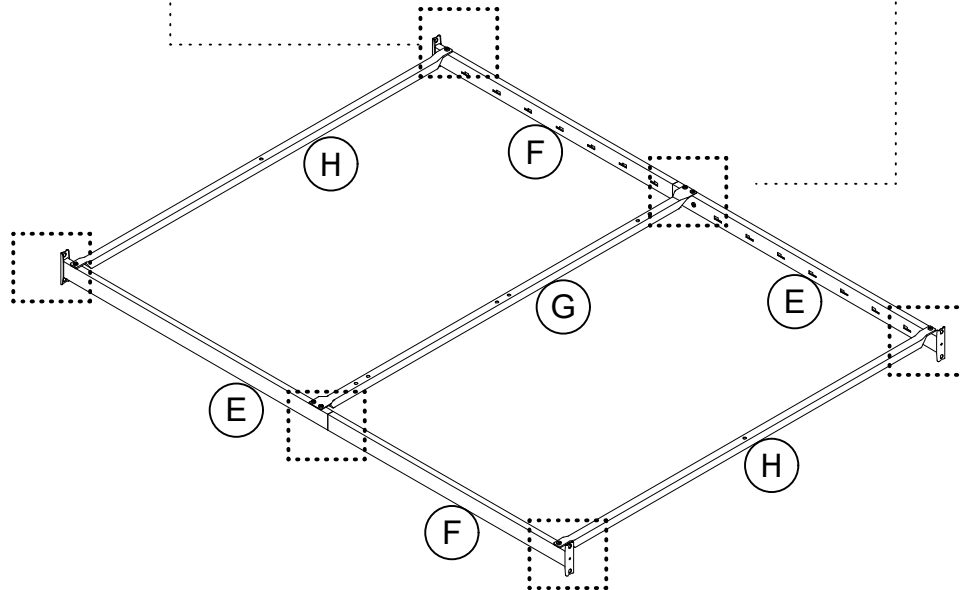




3.1



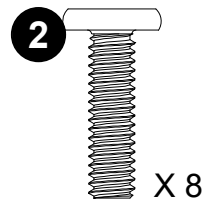
3.2



Step 3

3.1 Attach H X 2 to sub-assembly E/F X 2 from previous step with ②.

3.2 Attach G to E X 2 with ②.



Step 4

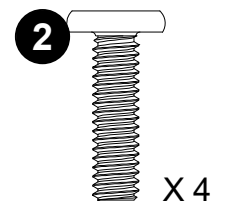
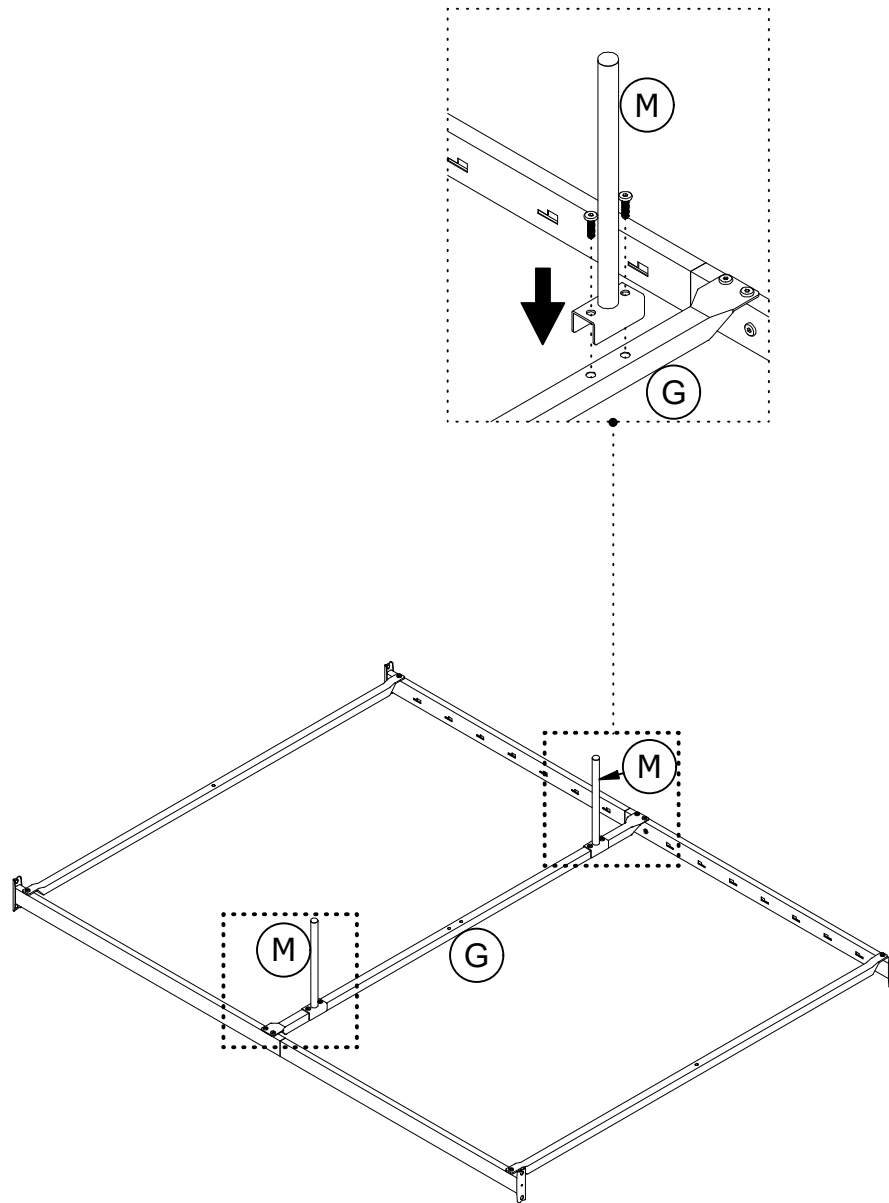
This bed offers you 2 options for the height of the bed foundation.

●To assembly in Higher Position: From **STEP 4** to **STEP 8**.

●To assembly in Lower Position: From **STEP 9** to **STEP 13**.

Attach **M** X 2 to **G** with **2**.

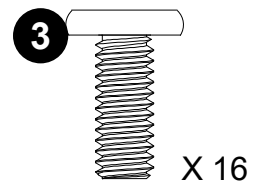
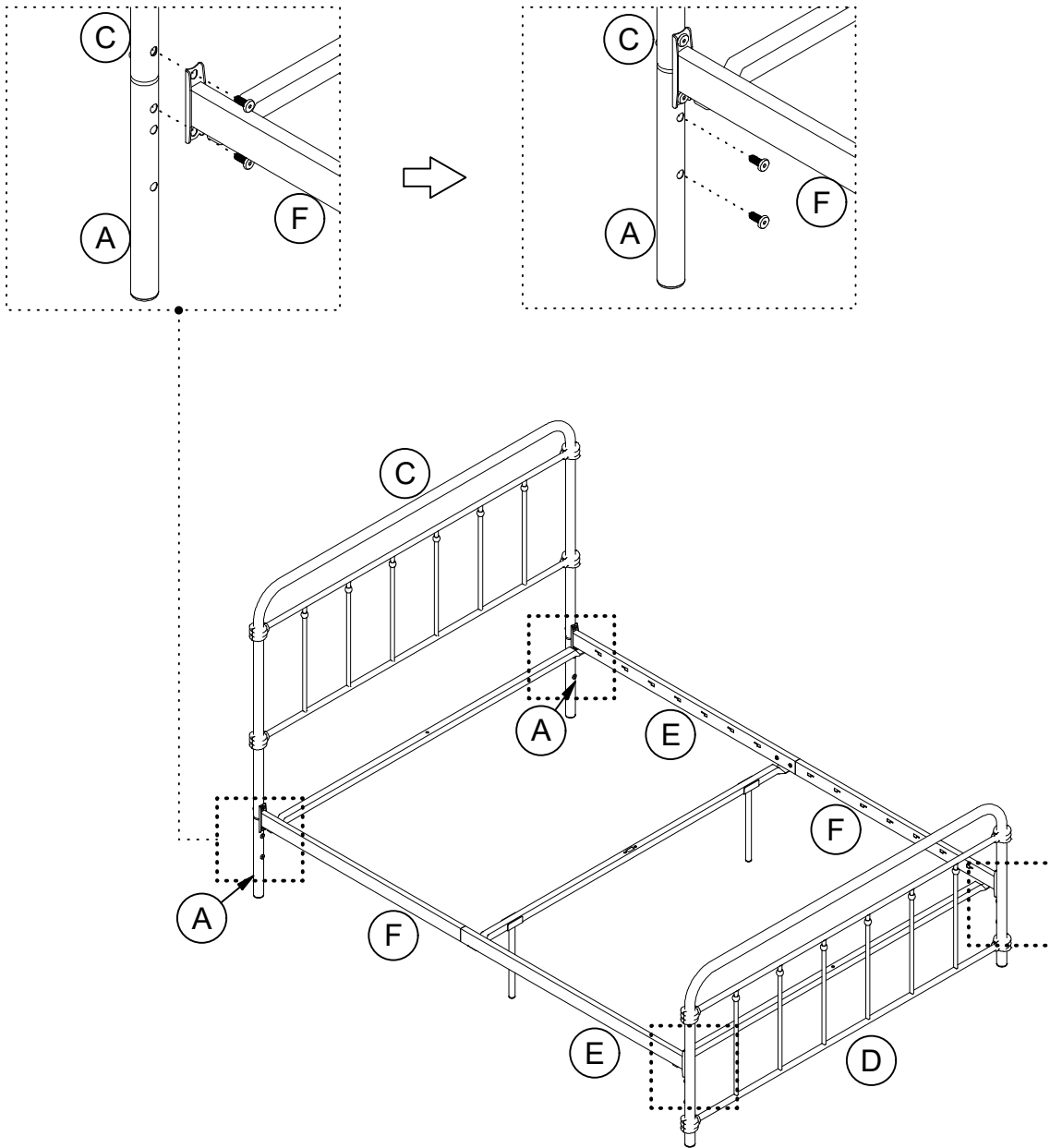
Then turn over the subassembly.



Step 5

Attach sub-assembly **E/F** from previous step to **A X 2**, **C** and **D** with **3**.

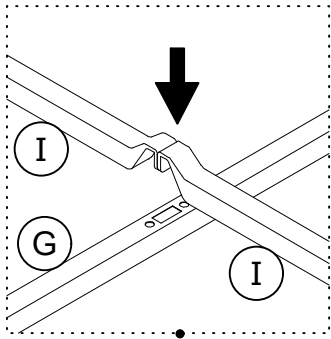
Screw **3** into **A X 2** and **D**.



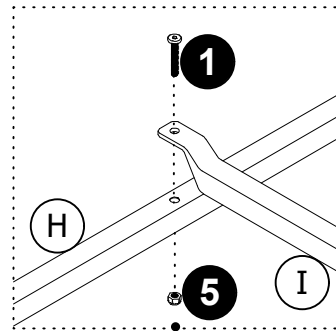
Step 6

6.1 Insert one end of both **I** into the slot on **G** as illustrated.

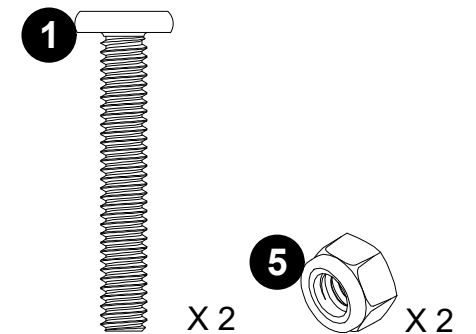
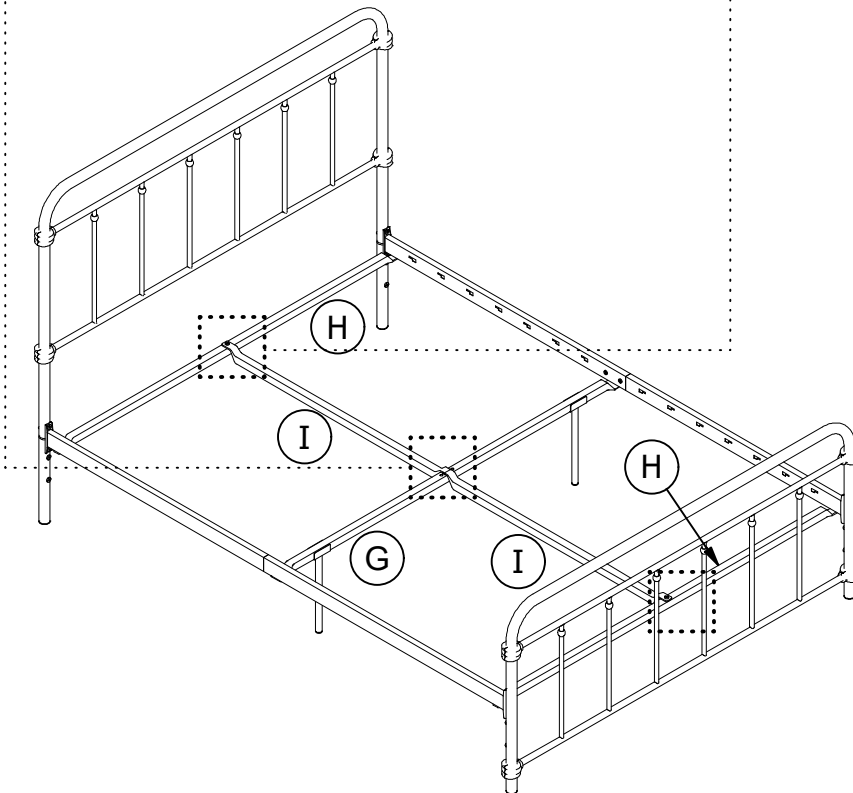
6.2 Attach the other end of both **I** to **H** X 2 with **1** and **5**.



6.1

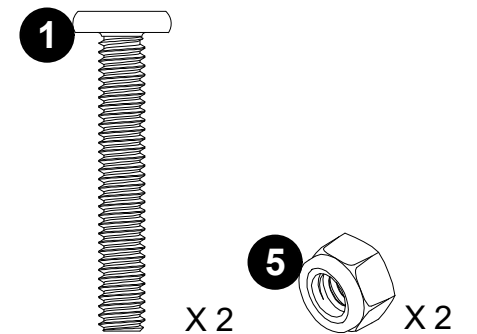
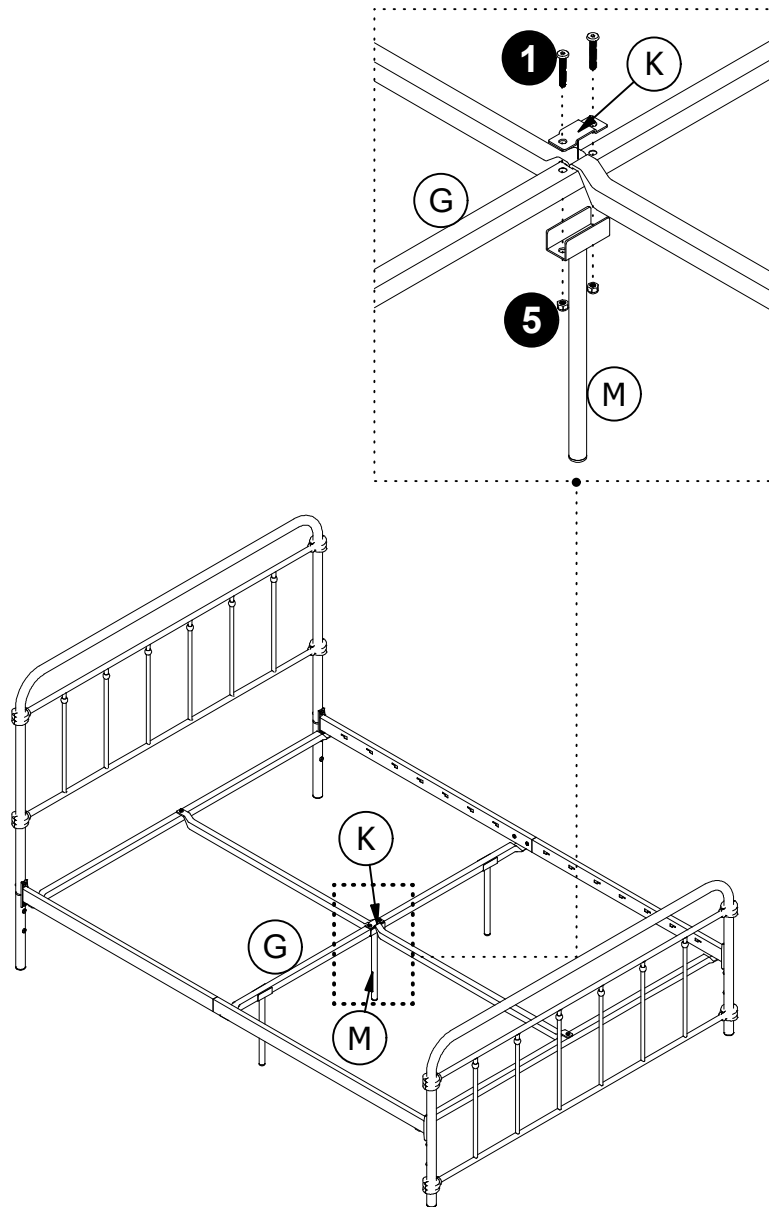


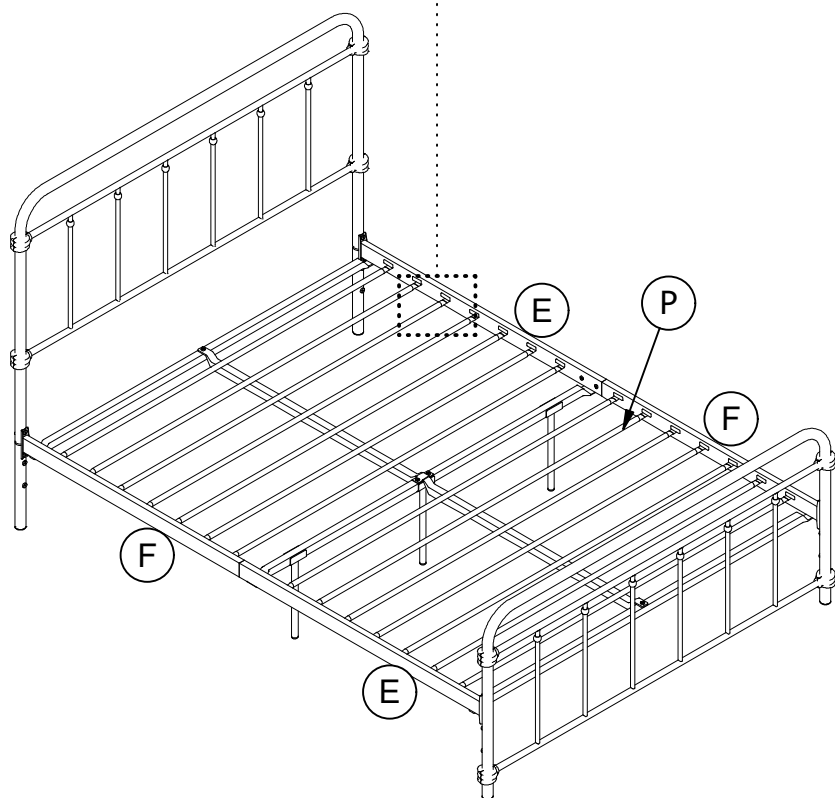
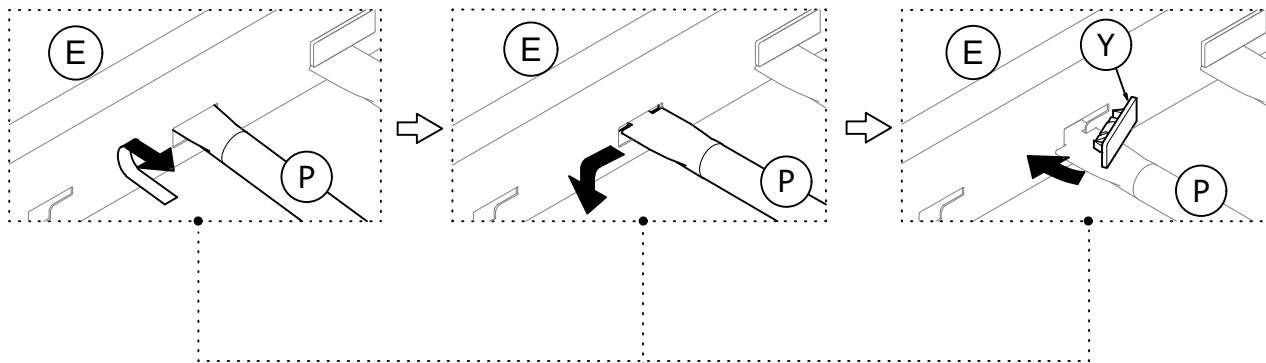
6.2



Step 7

Attach **M** and **K** to **G** with **1** and **5**.





Step 8

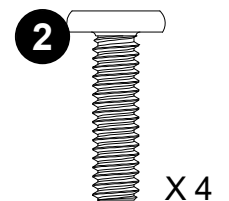
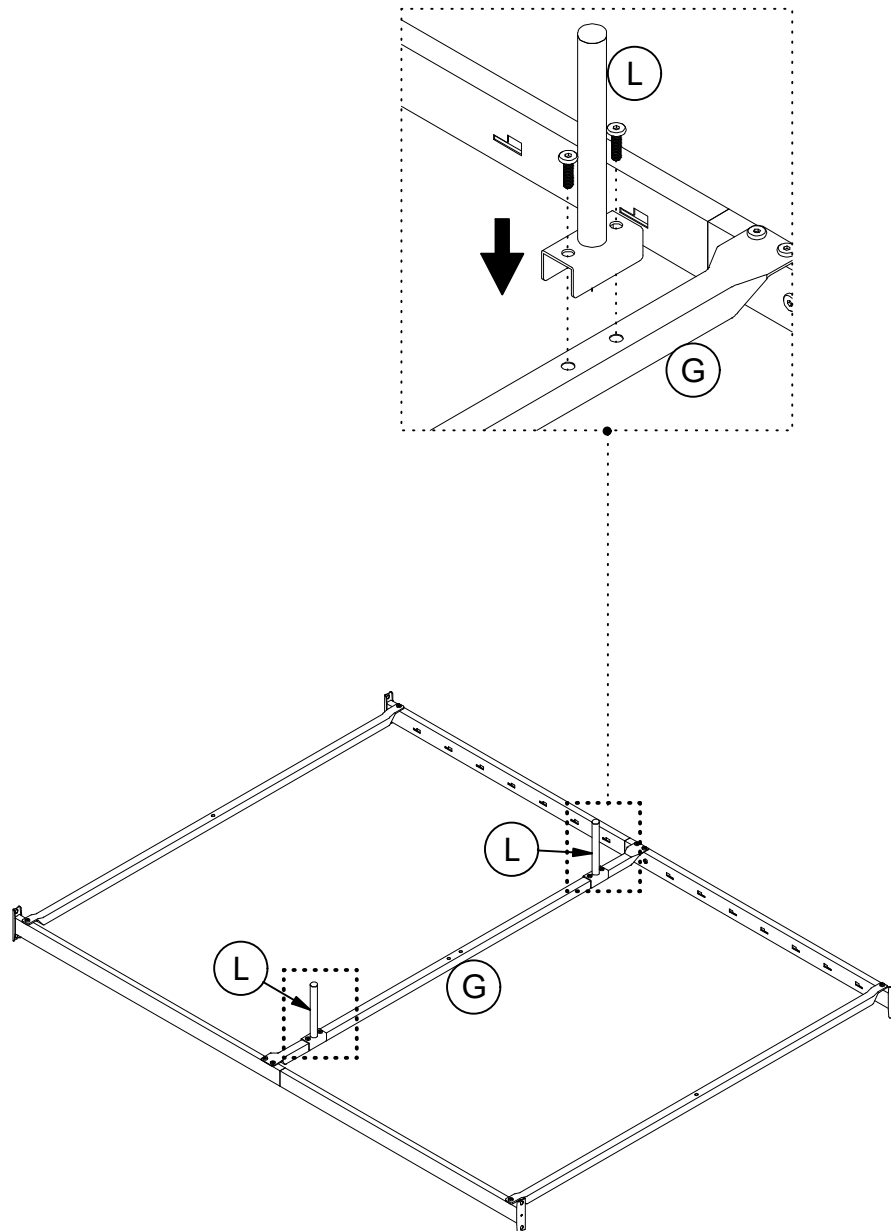
Insert **P** into **E** & **F** as illustrated, then lock **P** into place with **Y**.

Step 9

●To assembly in Lower Position: From **STEP 9** to **STEP 13**.

Attach **L** X 2 to **G** with **2**.

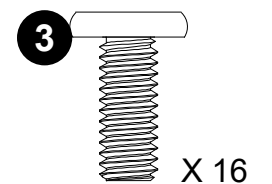
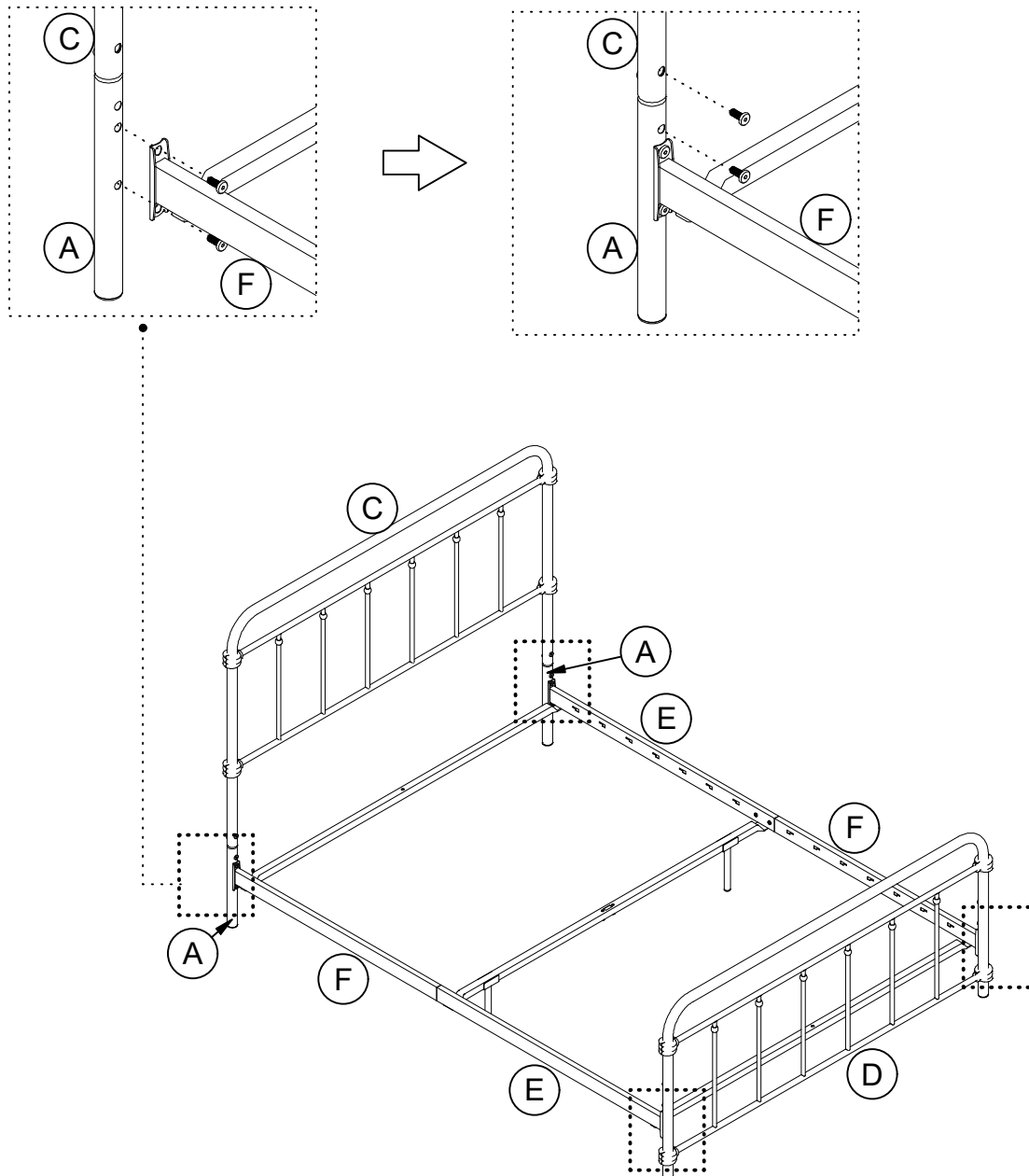
Then turn over the subassembly.



Step 10

Attach sub-assembly **E/F** from previous step to **A X 2** and **D** with **3**.

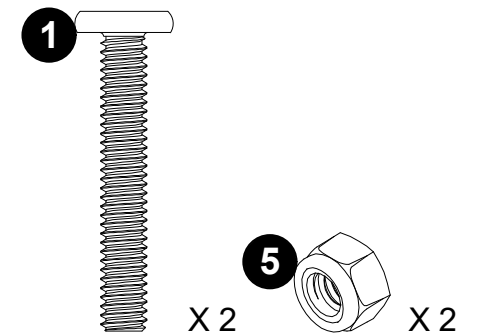
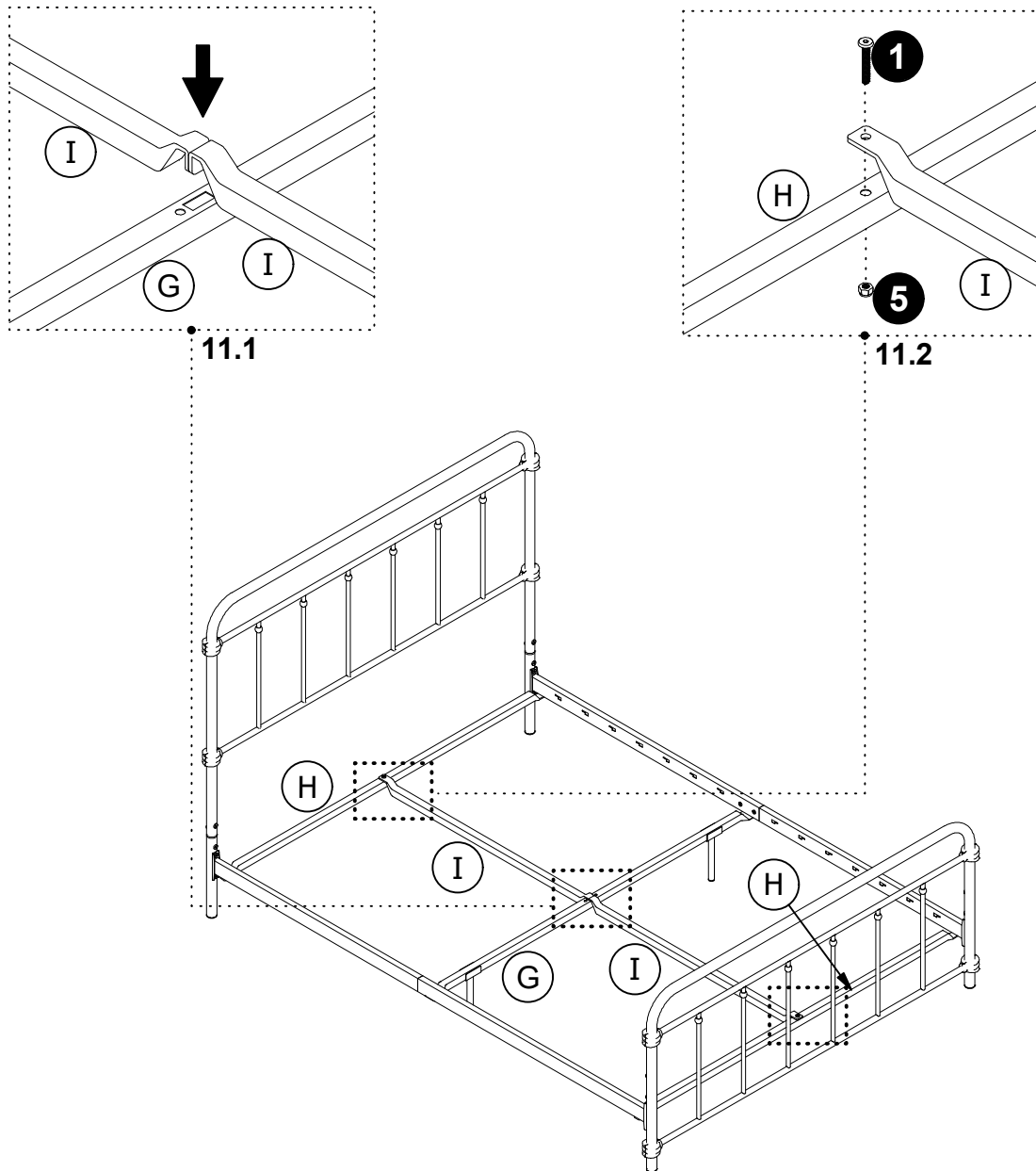
Screw **3** into **A X 2**, **C** and **D**.



Step 11

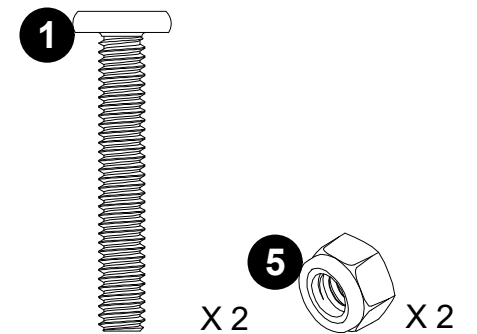
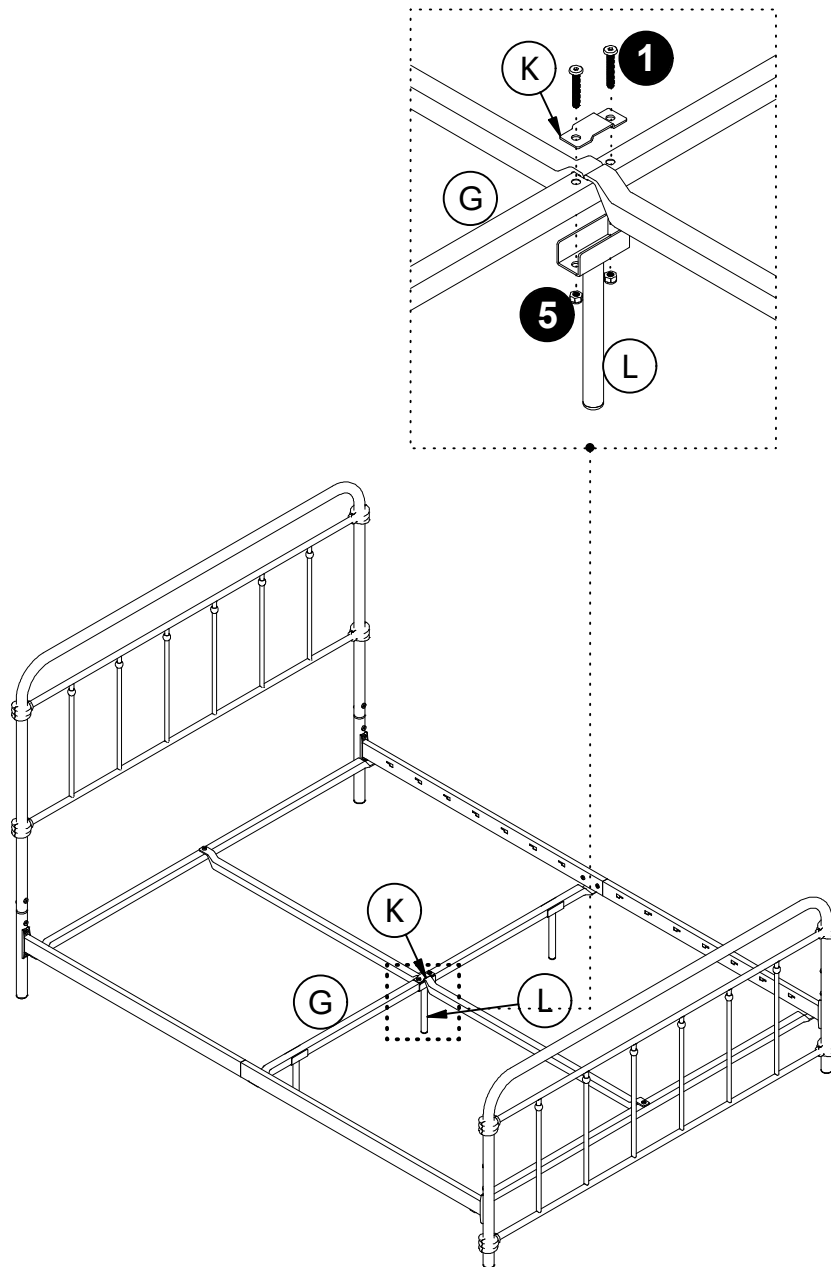
11.1 Insert one end of both **I** into the slot on **G** as illustrated.

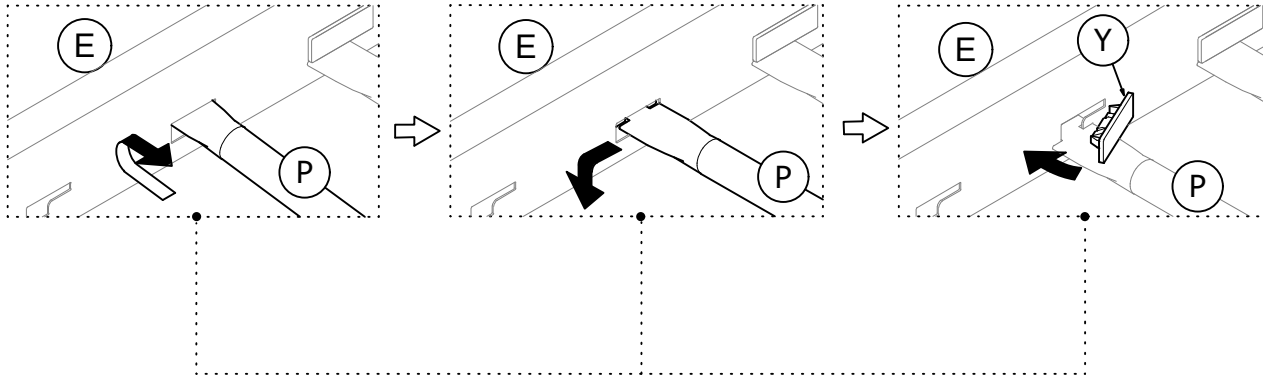
11.2 Attach the other end of both **I** to **H** X 2 with **1** and **5**.



Step 12

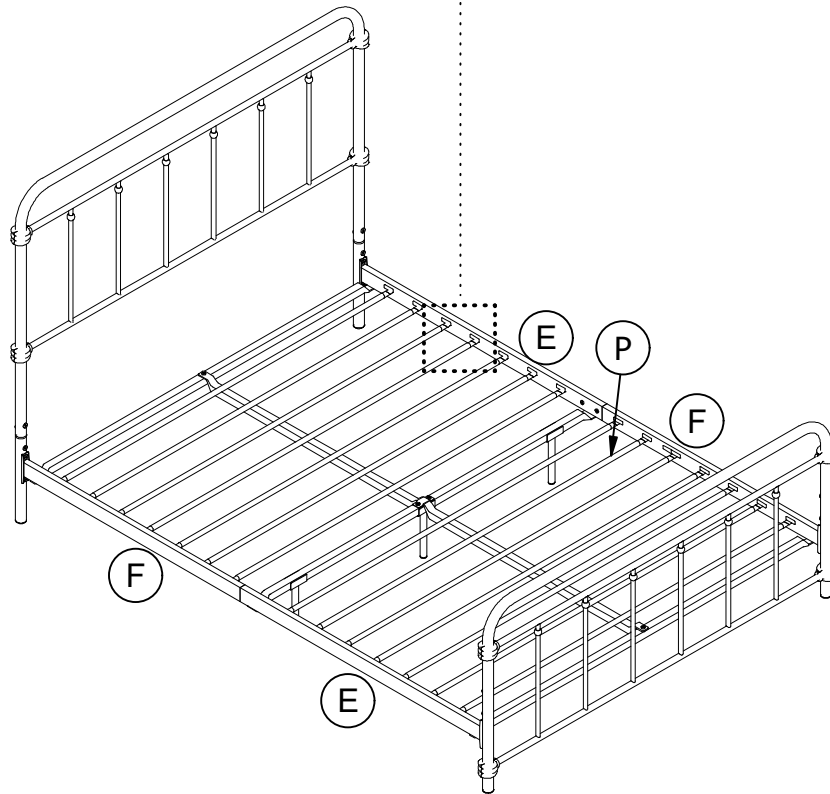
Attach **L** and **K** to **G** with **1** and **5**.




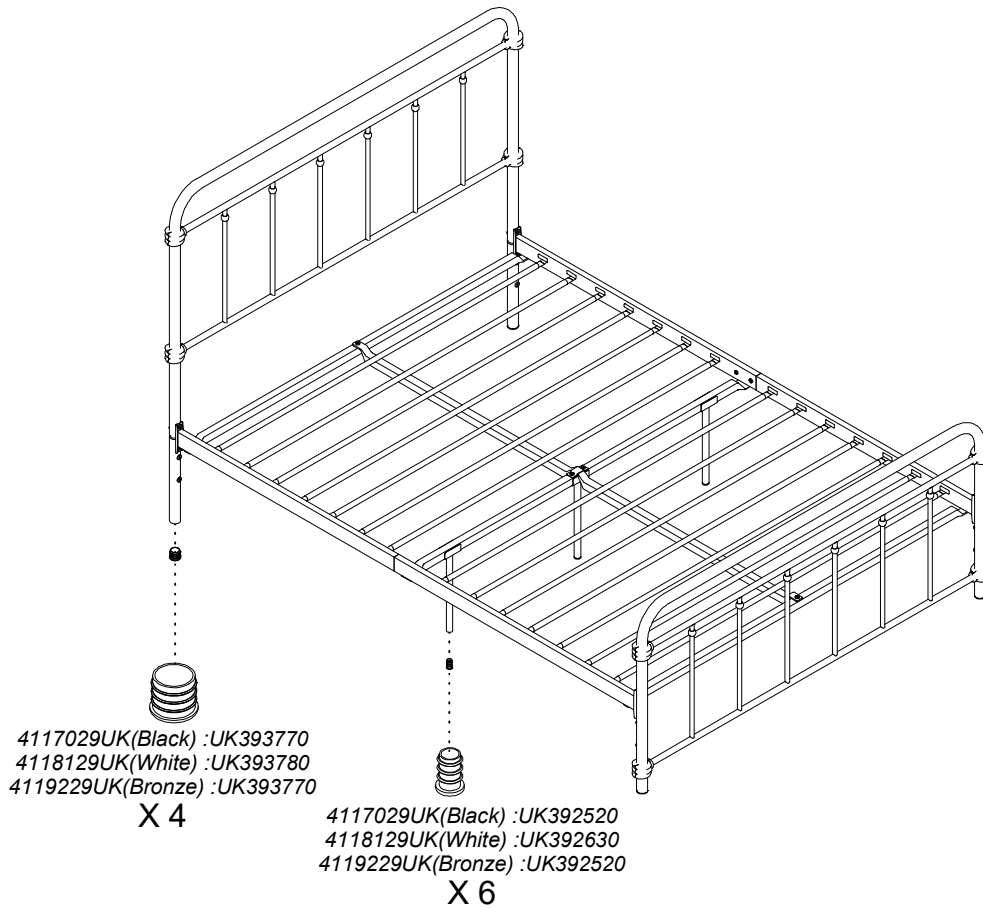


Step 13

Insert **P** into **E** & **F** as illustrated, then lock **P** into place with **Y**.



 Weight Limit: 450 Lb / 204 Kg



Helpful Hints

- Move your new furniture carefully, with two people lifting and carrying the unit to its new location.
- Your DHP furniture can be disassembled and reassembled to move.
- Some parts have been pre-assembled for this item. They are illustrated on this page and available for replacement.

WARNINGS:

- For safety reasons and to prevent injuries:
- This bed is not intended for use by children under 4 years old.
 - Prohibit jumping and horseplay on this bed.
 - Only use a mattress which is 1900mm long and 1350mm wide.
 - Do not use risers under this bed.

